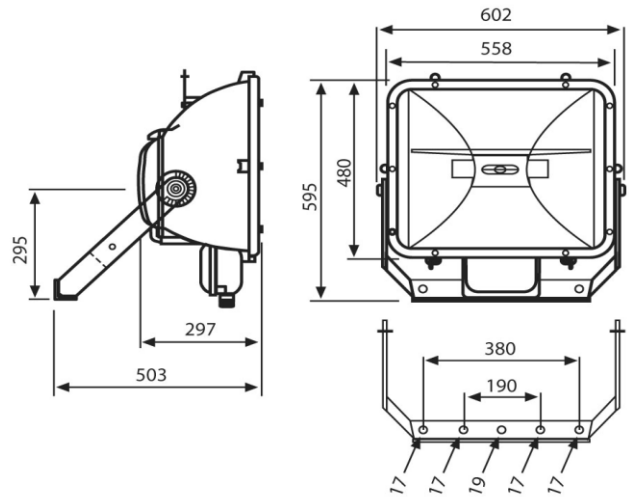
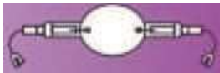


2KW Flood Light Luminaires

- Short Arc / Long Arc Lamps



Dimensions (mm) +/-5%



Applications

- Construction site
- Coal yard
- Railway marshalling yard
- Airport apron
- Sports stadium
- Facade lighting
- security lighting
- High mast lighting

Construction

- Body, rear cover and glass frame in die cast aluminum with primary alloy and low copper content, with an high weather proof rating.
- Coated with silver polyester powder.
- Front tempered glass resistant to high temperatures and to thermal shock.
- PsSFC20-6 (cable & lug) Lamp holder
- Anti-ageing gaskets in silicon rubber
- Connection box in special self extinguish plastic material, complete with ignitor.
- Insulation class I and II

Reflector

- Control gear box CABLO SERVICE, in die-cast aluminum IP 65 for class I or in thermoplastic material IP 66 for class II, may be used for the supply of the lamp

Part no	Lamp Type	Lamp Qty	Wattage	Nominal Rated Voltage
VL/AFL/NI/DE-2000W-N	MH	1	2000	380/400/415